



UltraWAVE Racks

Milestone Accessories for Microwave Acid Digestion



Contact Us to Order:

By Email: customerservice@milestonesci.com

By Phone: 1 (866) 995 5100

On the Web: www.milestonesci.com

UltraWAVE

Racks and Vials



RACK4/G	4 positions rack with GLASS vials and caps
RACK4/Q	4 positions rack with QUARTZ vials and caps
RACK4/T	4 positions rack with TFM vials and caps
RACK5/G	5 positions rack with GLASS vials and caps
RACK5/Q	5 positions rack with QUARTZ vials and caps
RACK5/T	5 positions rack with TFM vials and caps
RACK15/G	15 positions rack with GLASS vials and caps
RACK15/Q	15 positions rack with QUARTZ vials and caps
RACK15/T	15 positions rack with TFM vials and caps
RACK22/G	22 positions rack with GLASS vials and caps
RACK22/Q	22 positions rack with QUARTZ vials and caps
RACK22/T	22 positions rack with TFM vials and caps

4 Position Rack

SAMPLE TYPE



Officials



Agriculture



Beverage



Ceramics



Chemicals



Clinical



Cosmetics



Environmental



Food & Feed



Geochemistry



Metals



Petrochemical



Pharmaceutical



Pigments



Polymers

SAMPLE AMOUNT



Small



Medium



Large

MAX REAGENT **VOLUME: 50 mL**

SAMPLE **SIZE: ~ 0.1g - 3g ***

SAMPLE THROUGHPUT



4 positions



5 positions



15 positions

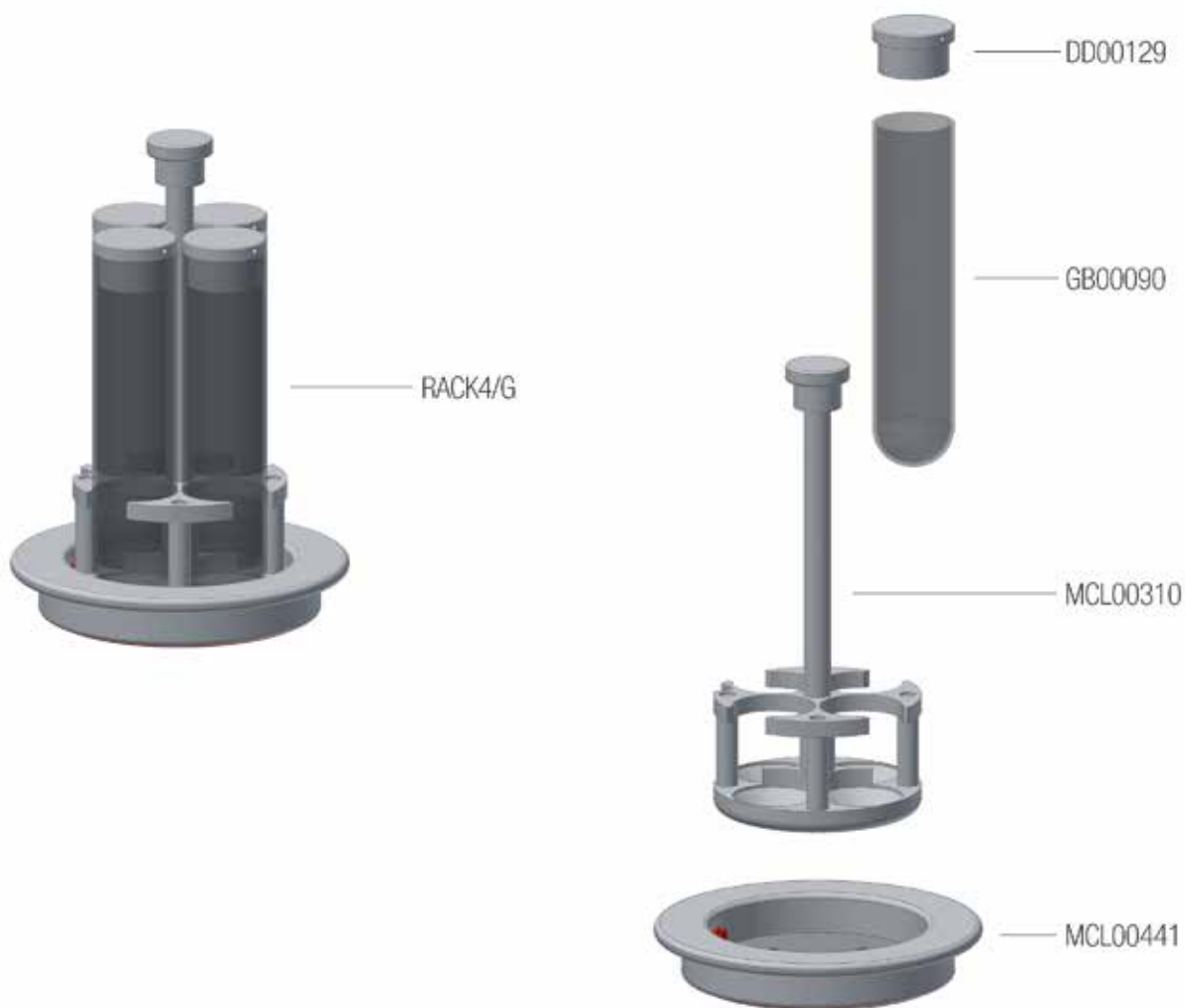


22 positions

*sample size is dependent on sample matrix

► RACK4/G

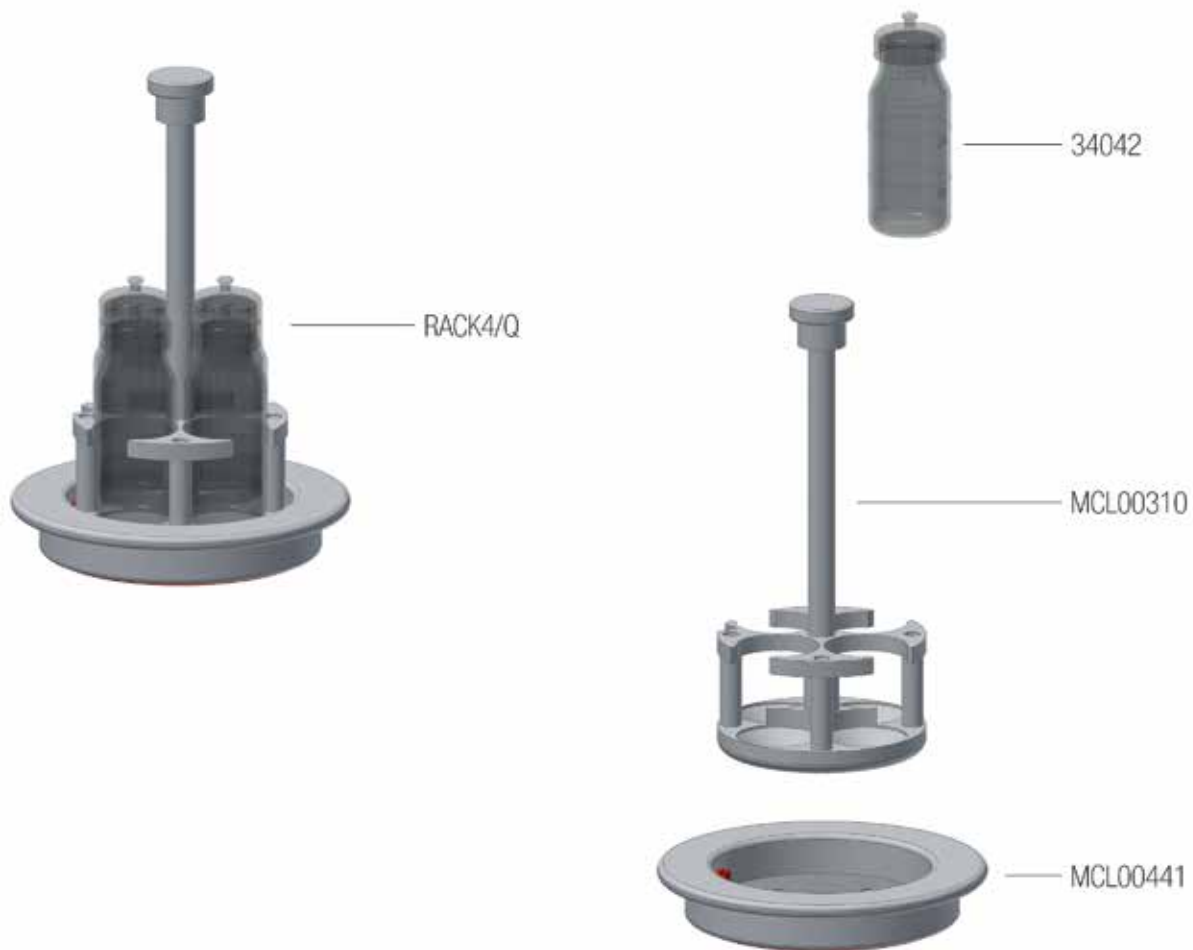
4 positions rack with GLASS vials and caps



P/N	Description
RACK4/G	4 positions rack with GLASS vials and caps
DD00129	PTFE cap for vial Ø 30mm with internal Ø 27mm
GB00090	Glass vial 30/130 (Ø 30mm/27mm x 130) ca. 70 ml
MCL00310	Sample rack 4/30
MCL00441	Rock bottom plate with 04 numbered positions

▶ RACK4/Q

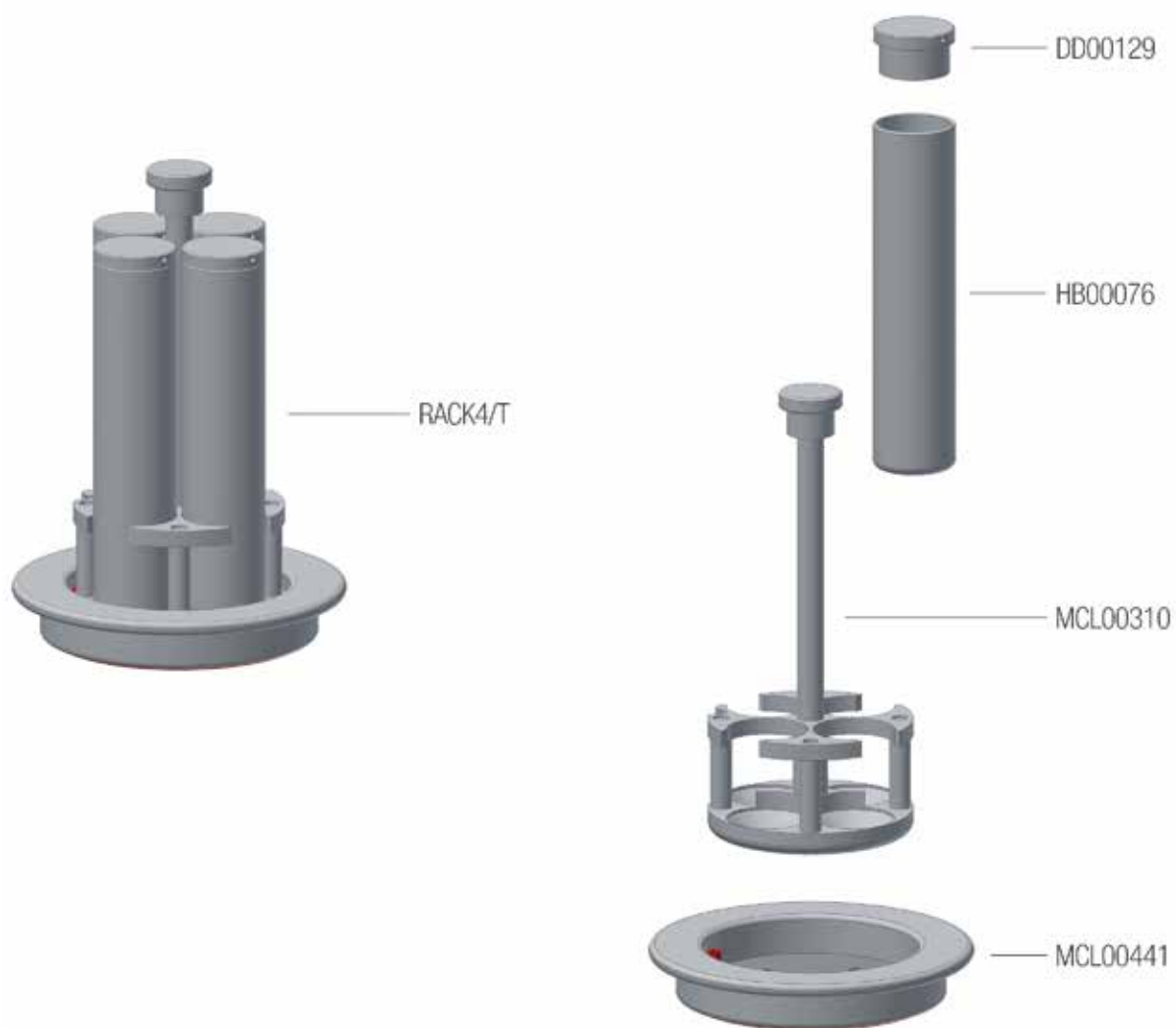
4 positions rack with QUARTZ vials and caps



P/N	Description
RACK4/Q	4 positions rack with QUARTZ vials and caps
34042	QS-50 Quartz Inserts COMPLETE (Ø 30mm x 70mm) cover included
MCL00310	Sample rack 4/30
MCL00441	Rock bottom plate with 04 numbered positions

► RACK4/T

4 positions rack with TFM vials and caps



P/N	Description
RACK4/T	4 positions rack with TFM vials and caps
DD00129	PTFE cap for vial \varnothing 30mm with internal \varnothing 27mm
HB00076	PTFE vial 30/130 (\varnothing 30 mm/27 mm x 130), ca. 70 ml
MCL00310	Sample rack 4/30
MCL00441	Rock bottom plate with 04 numbered positions

5 Position Rack

SAMPLE TYPE



Officials



Agriculture



Beverage



Ceramics



Chemicals



Clinical



Cosmetics



Environmental



Food & Feed



Geochemistry



Metals



Petrochemical



Pharmaceutical



Pigments



Polymers

SAMPLE AMOUNT



Small



Medium



Large

MAX REAGENT **VOLUME:** 30mL

SAMPLE **SIZE:** ~ 0.1g - 2g *

SAMPLE THROUGHPUT



4 positions



5 positions



15 positions

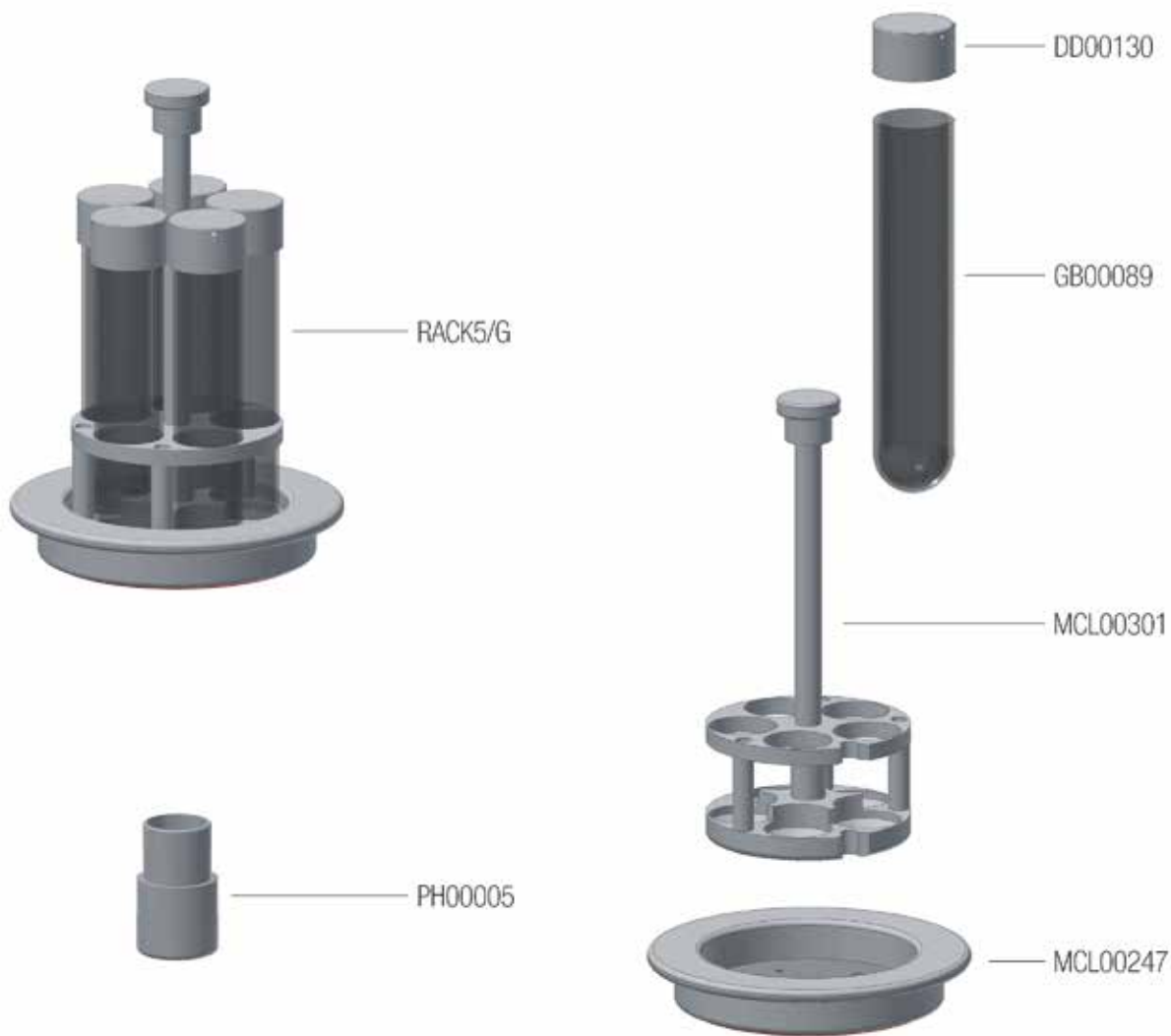


22 positions

*sample size is dependent on sample matrix

► RACK5/G

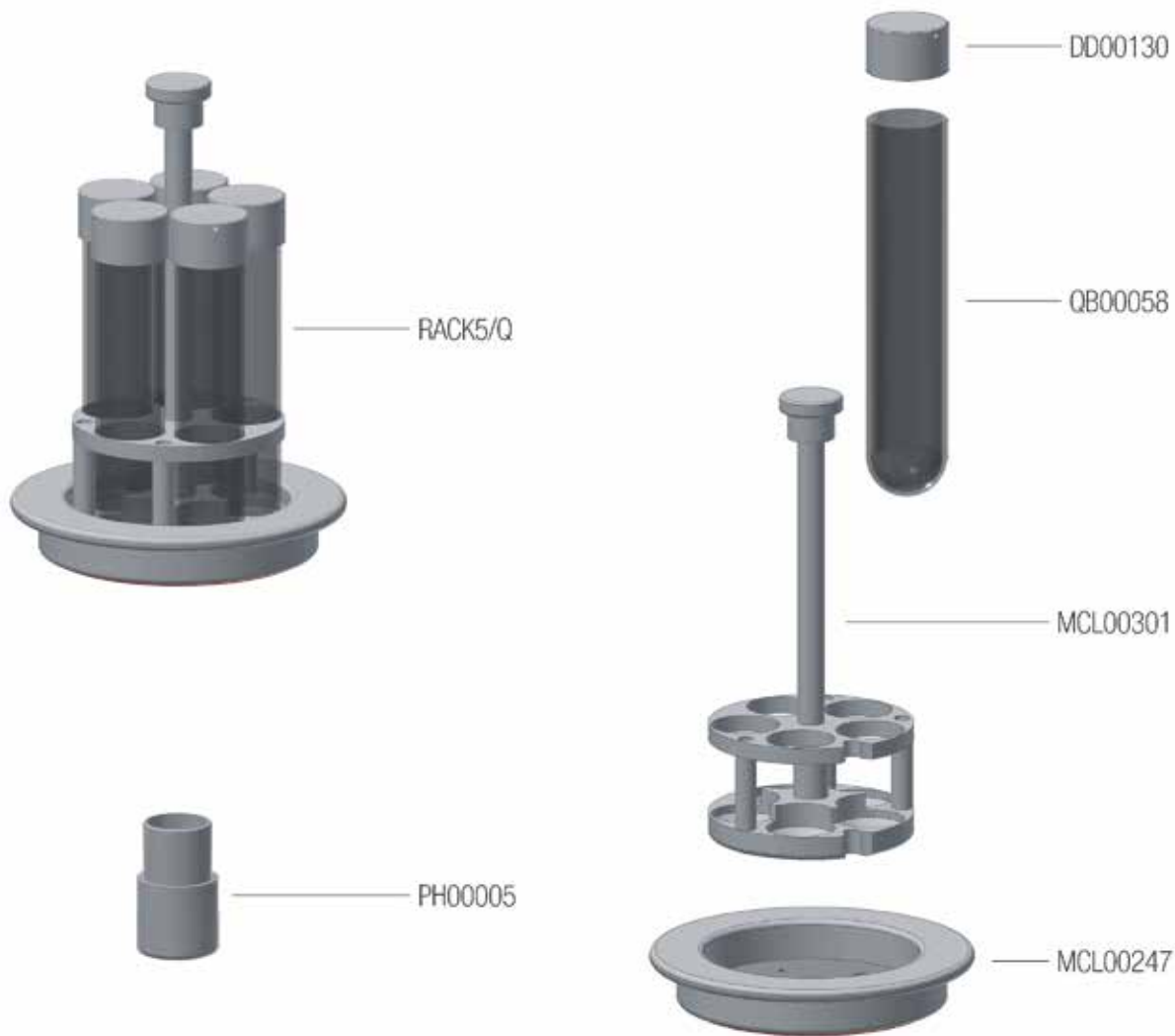
5 positions rack with GLASS vials and caps



P/N	Description
RACK5/G	5 positions rack with GLASS vials and caps
PH00005	Weighing adapter
DD0130	PTFE cap for vial Ø 25 mm
GB00089	Glass vial 25/120 (Ø 25 mm/22mm x 120mm) ca. 40 ml
MCL00301	Rock bottom plate with 05 numbered positions
MCL00247	Sample rack 5/25

► RACK5/Q

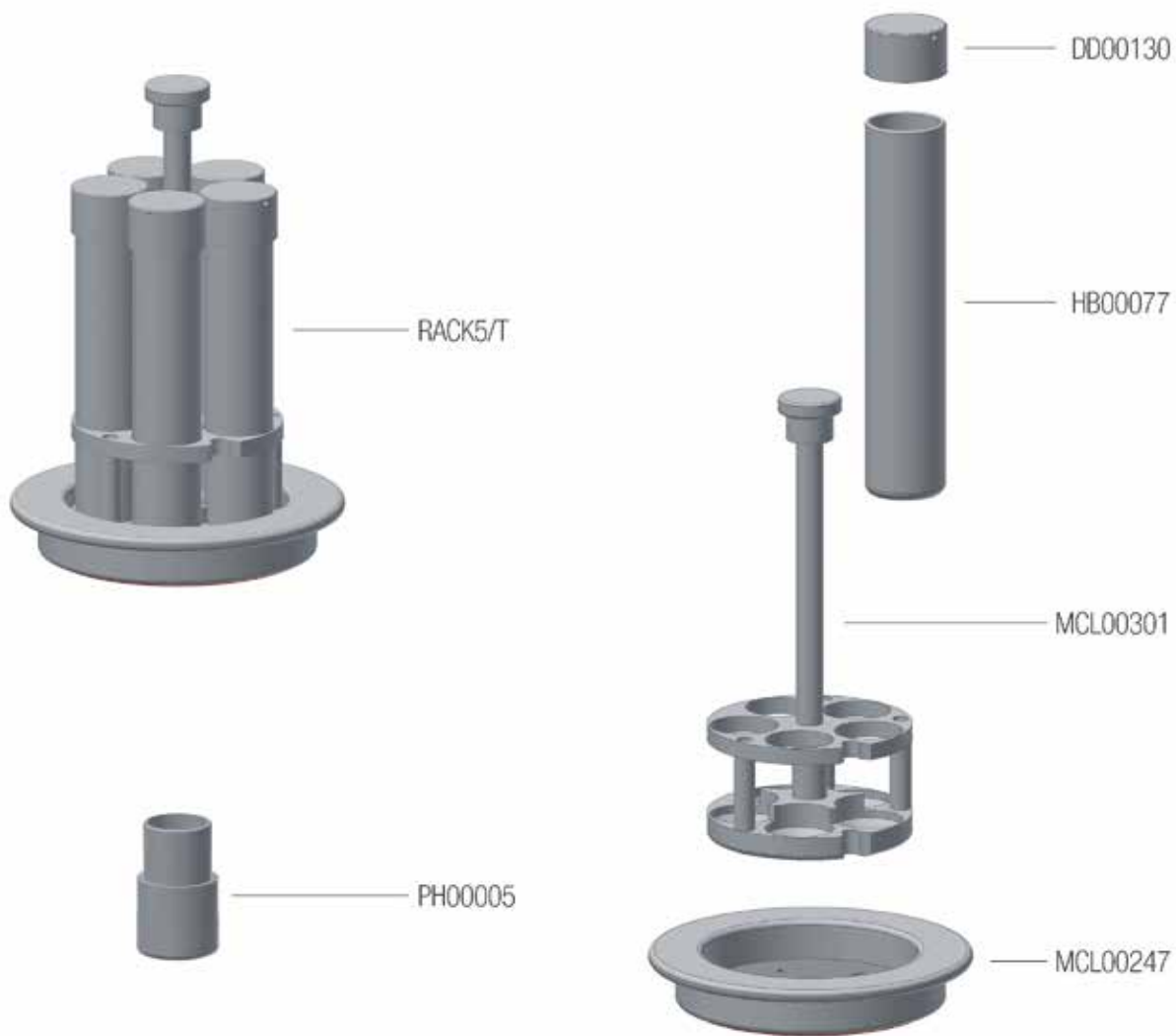
5 positions rack with QUARTZ vials and caps



P/N	Description
RACK5/Q	5 positions rack with QUARTZ vials and caps
PH00005	Weighing adapter
DD0130	PTFE cap for vial Ø 25 mm
QB00058	Quartz vial 25/120 (Ø 25 mm/22 mm x 120mm) ca. 40 ml
MCL00301	Rock bottom plate with 05 numbered positions
MCL00247	Sample rack 5/25

► RACK5/T

5 positions rack with TFM vials and caps



P/N	Description
RACK5/T	5 positions rack with TFM vials and caps
PH00005	Weighing adapter
DD0130	PTFE cap for vial Ø 25 mm
HB00077	PTFE vial 25/120 (Ø 25 mm/22 mm x 120mm) ca. 40 ml
MCL00301	Rock bottom plate with 05 numbered positions
MCL00247	Sample rack 5/25

15 Position Rack

SAMPLE TYPE



Officials



Agriculture



Beverage



Ceramics



Chemicals



Clinical



Cosmetics



Environmental



Food & Feed



Geochemistry



Metals



Petrochemical



Pharmaceutical



Pigments



Polymers

SAMPLE AMOUNT



Small



Medium



Large

MAX REAGENT **VOLUME: 10 mL**

SAMPLE **SIZE: ~ 0.1g - 1g ***

SAMPLE THROUGHPUT



4 positions



5 positions



15 positions



22 positions

*sample size is dependent on sample matrix

▶ RACK15/G

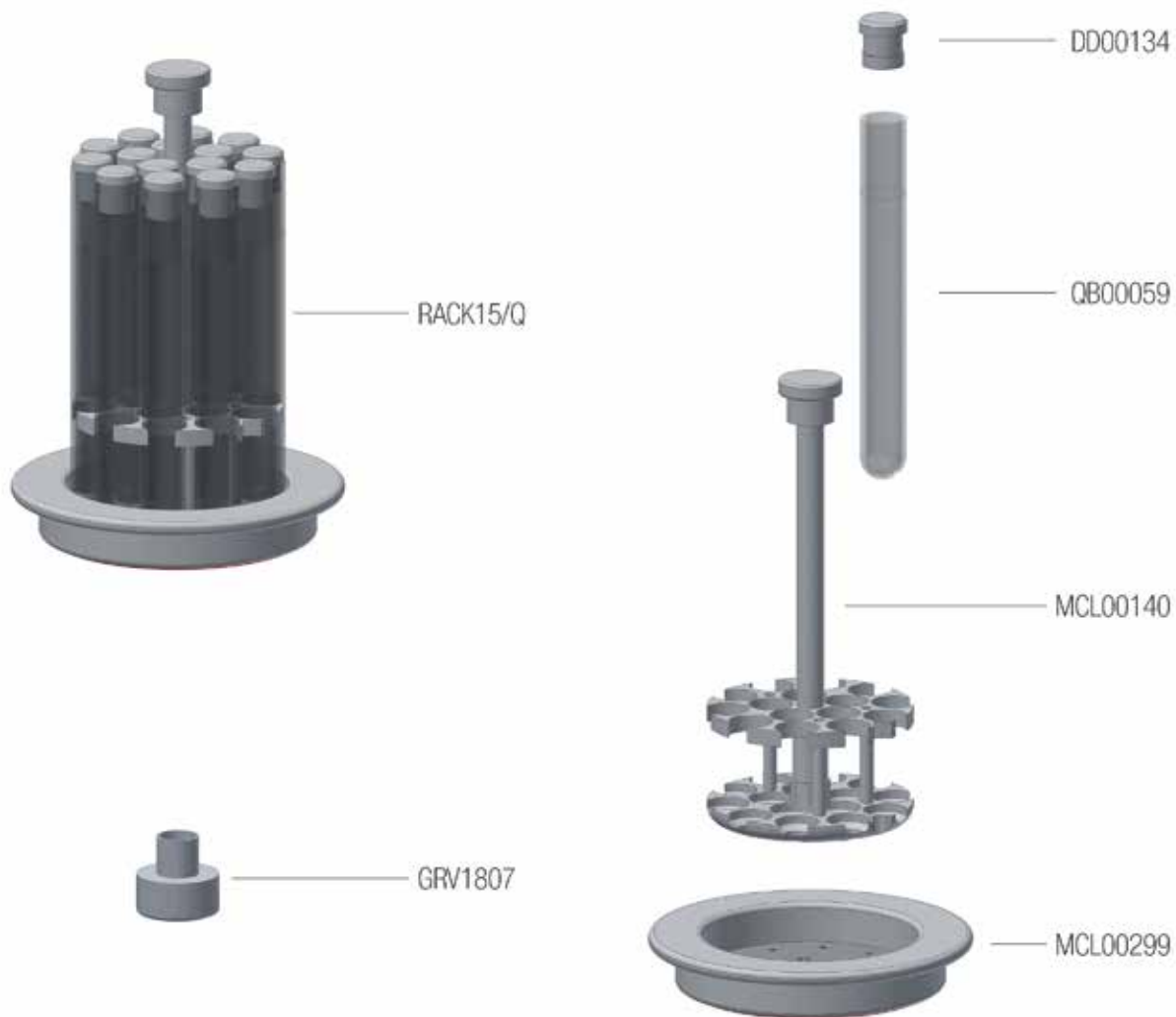
15 positions rack with GLASS vials and caps



P/N	Description
RACK15/G	15 positions rack with GLASS vials and caps
GRV1807	Weighing adapter
DD00134	PTFE cap for vial Ø 16 mm with internal Ø 13 mm
L00079D	Glass vials (disposable) set of 1000 pieces (Ø 16 mm x 125mm)
MCL00140	Sample rack 15/16
MCL00299	Rock bottom plate with 15 numbered positions

► RACK15/Q

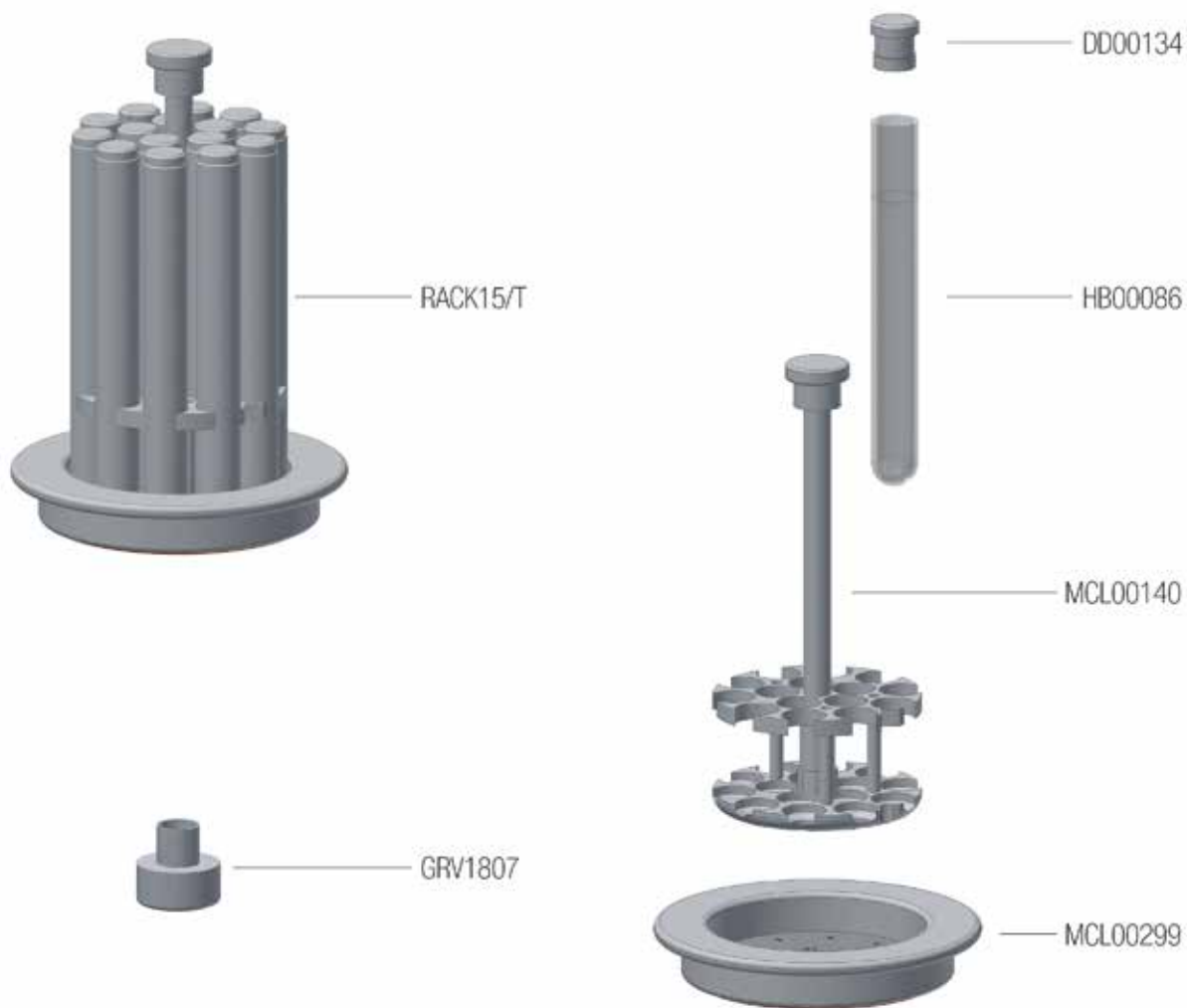
15 positions rack with QUARTZ vials and caps



P/N	Description
RACK15/Q	15 positions rack with QUARTZ vials and caps
GRV1807	Weighing adapter
DD00134	PTFE cap for vial Ø 16 mm with internal Ø 13 mm
QB00059	Quartz vial 16/130 (Ø 16 mm/13,6 mm x 130mm) ca. 15 ml
MCL00140	Sample rack 15/16
MCL00299	Rock bottom plate with 15 numbered positions

► RACK15/T

15 positions rack with TFM vials and caps



P/N	Description
RACK15/T	15 positions rack with TFM vials and caps
GRV1807	Weighing adapter
DD00134	PTFE cap for vial \varnothing 16 mm with internal \varnothing 13 mm
HB00086	PTFE vial 16/130 (\varnothing 16 mm/ 13 mm x 130mm) ca. 15 ml
MCL00140	Sample rack 15/16
MCL00299	Rock bottom plate with 15 numbered positions

22 Position Rack

SAMPLE TYPE



Officials



Agriculture



Beverage



Ceramics



Chemicals



Clinical



Cosmetics



Environmental



Food & Feed



Geochemistry



Metals



Petrochemical



Pharmaceutical



Pigments



Polymers

SAMPLE AMOUNT



Small



Medium



Large

MAX REAGENT **VOLUME:** 6 mL

SAMPLE **SIZE:** ~ 0.1g - 0.25g *

SAMPLE THROUGHPUT



4 positions



5 positions



15 positions

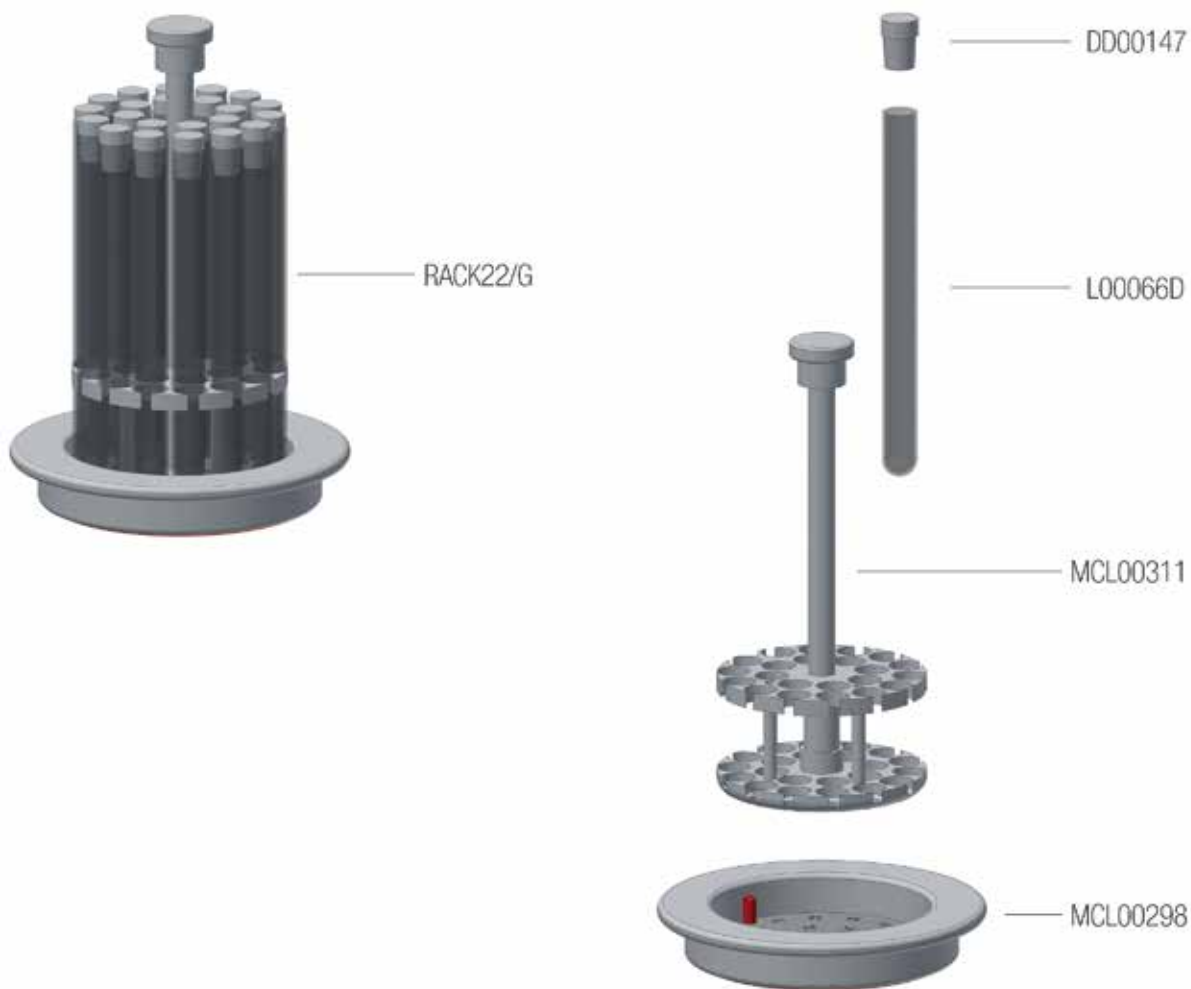


22 positions

*sample size is dependent on sample matrix

▶ RACK22/G

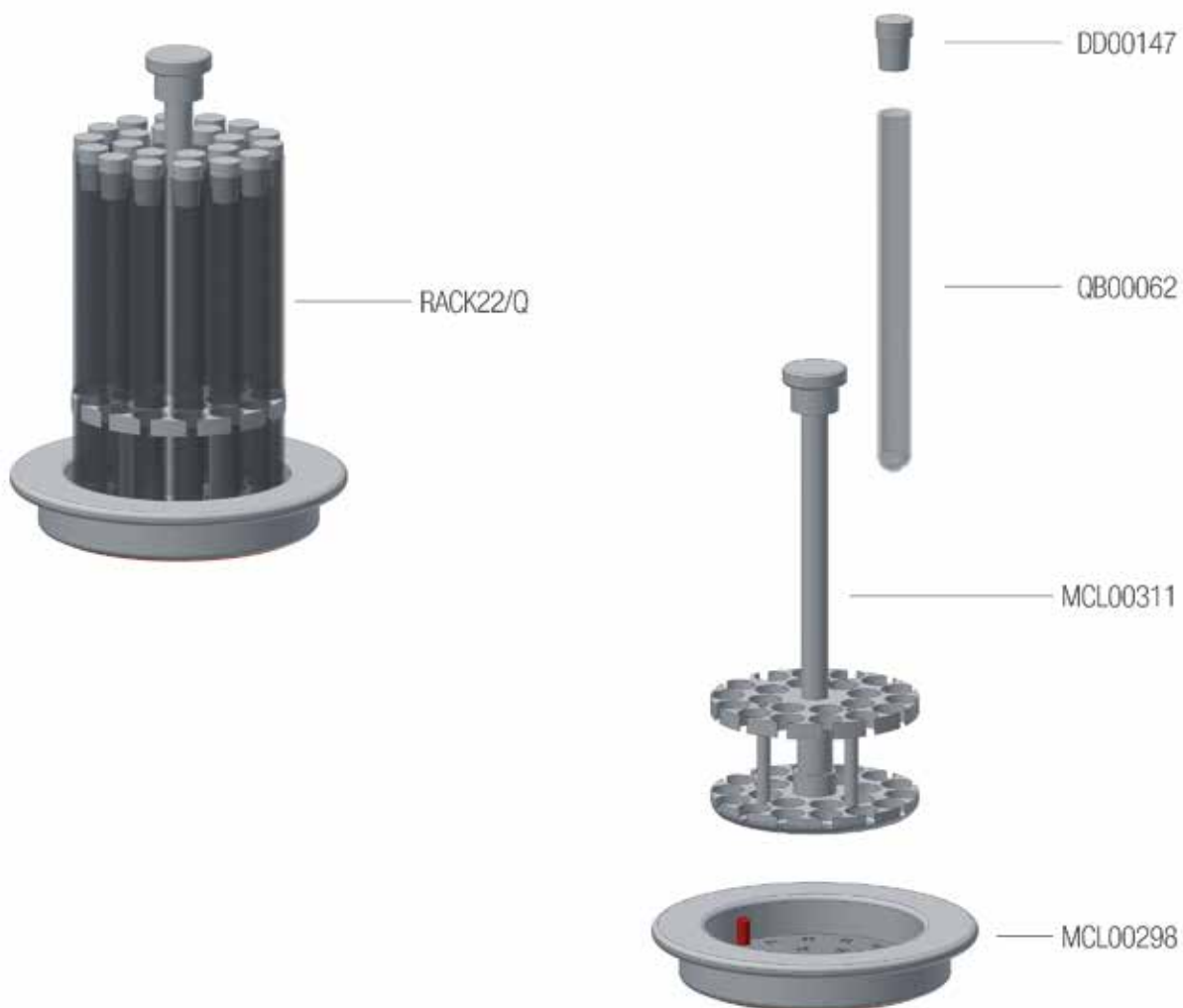
22 positions rack with GLASS vials and caps



P/N	Description
RACK22/G	22 positions rack with GLASS vials and caps
DD00147	PTFE cap for vial Ø 12 mm
L00066D	Glass vials (disposable) set of 250 pieces (Ø 12 mm x 100 mm) ca. 10 ml
MCL00311	Sample rack 22/12
MCL00298	Rock bottom plate with 22 numbered positions

► RACK22/Q

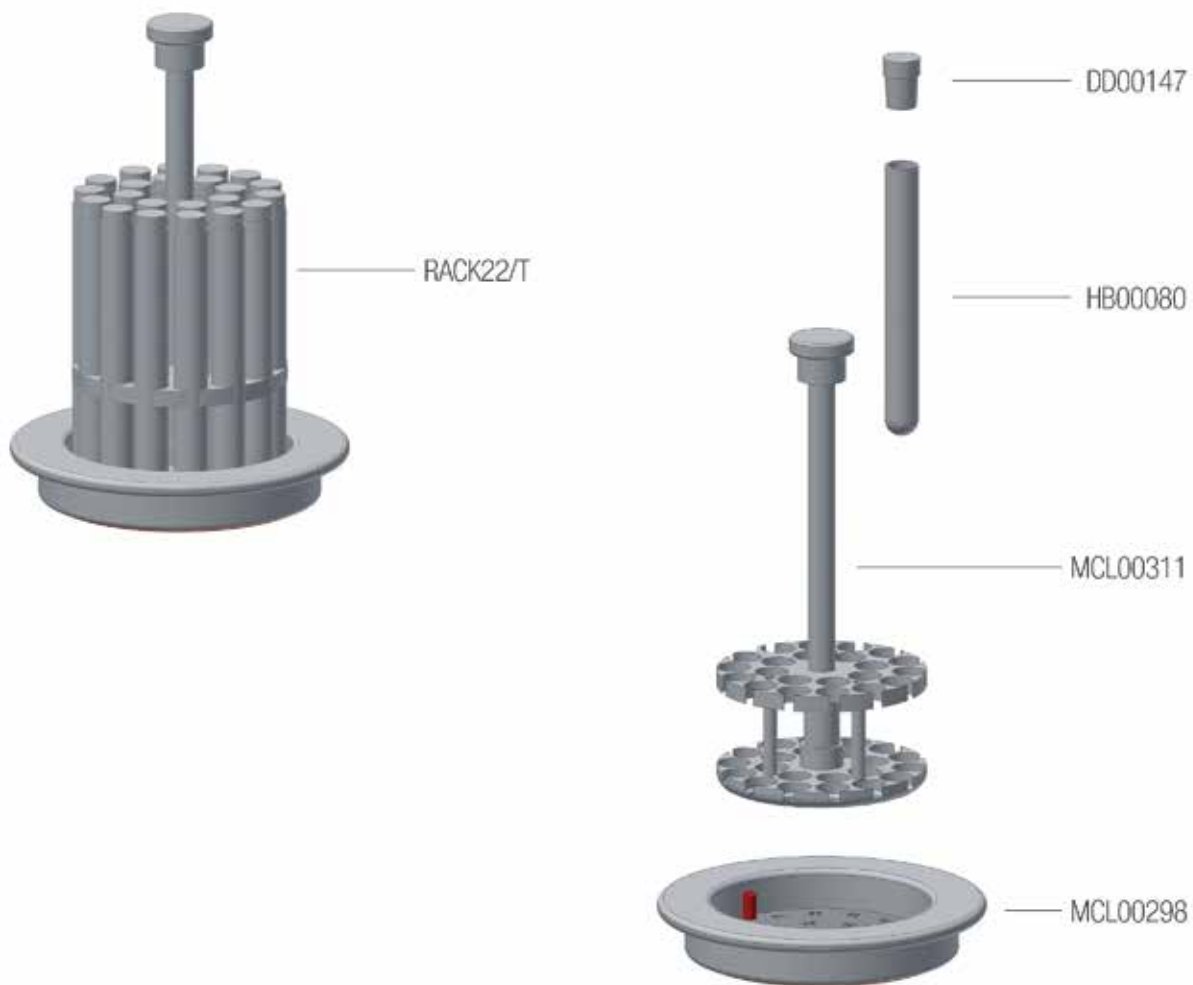
22 positions rack with QUARTZ vials and caps



P/N	Description
RACK22/Q	22 positions rack with QUARTZ vials and caps
DD00147	PTFE cap for vial Ø 12 mm
QB00062	Quartz vial 12/130 (Ø 12 mm x 130mm) ca. 10 ml
MCL00311	Sample rack 22/12
MCL00298	Rock bottom plate with 22 numbered positions

► RACK22/T

22 positions rack with TFM vials and caps



P/N	Description
RACK22/T	22 positions rack with TFM vials and caps
DD00147	PTFE cap for vial \varnothing 12 mm
HB00080	PTFE vial 12/100 (\varnothing 12 mm x 100mm) ca. 7 ml
MCL00311	Sample rack 22/12
MCL00298	Rock bottom plate with 22 numbered positions



Contact Us to Order:

By Email: customerservice@milestonesci.com

By Phone: 1 (866) 995 5100

On the Web: www.milestonesci.com